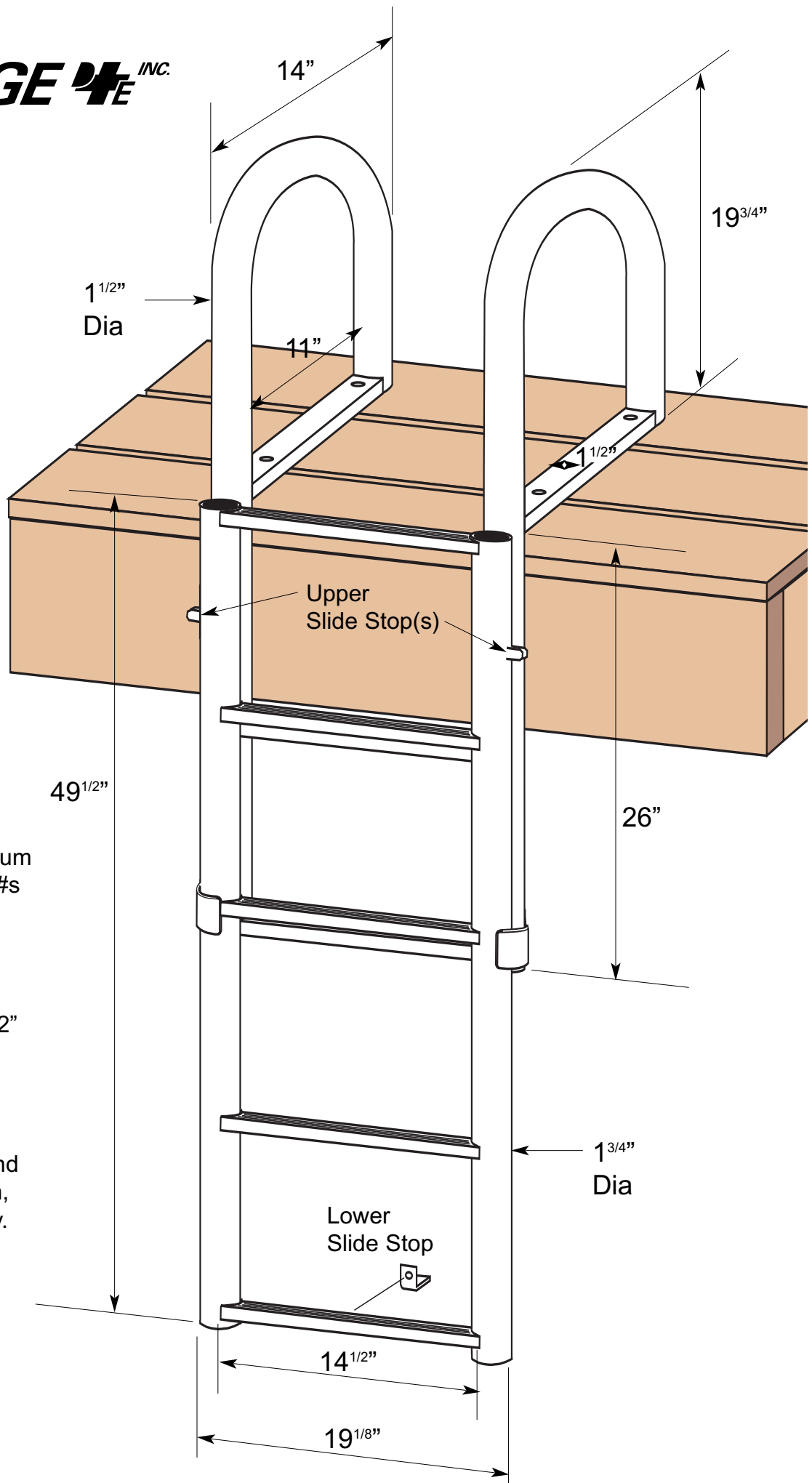


# DOCK EDGE INC.

Dimensions for DockEdge

Part#s: 2035-F & 2037-F



DockEdge+ welded aluminum ladder dimensions for Part#s

2035-F, 2037-F

Distance to first step: 12"  
Distance between steps: 12"

Treads:  
1 3/4" deep x 14 1/2" wide

Dimensions are nominal and may vary slightly by design, production run or necessity.